

*next level cleaning*

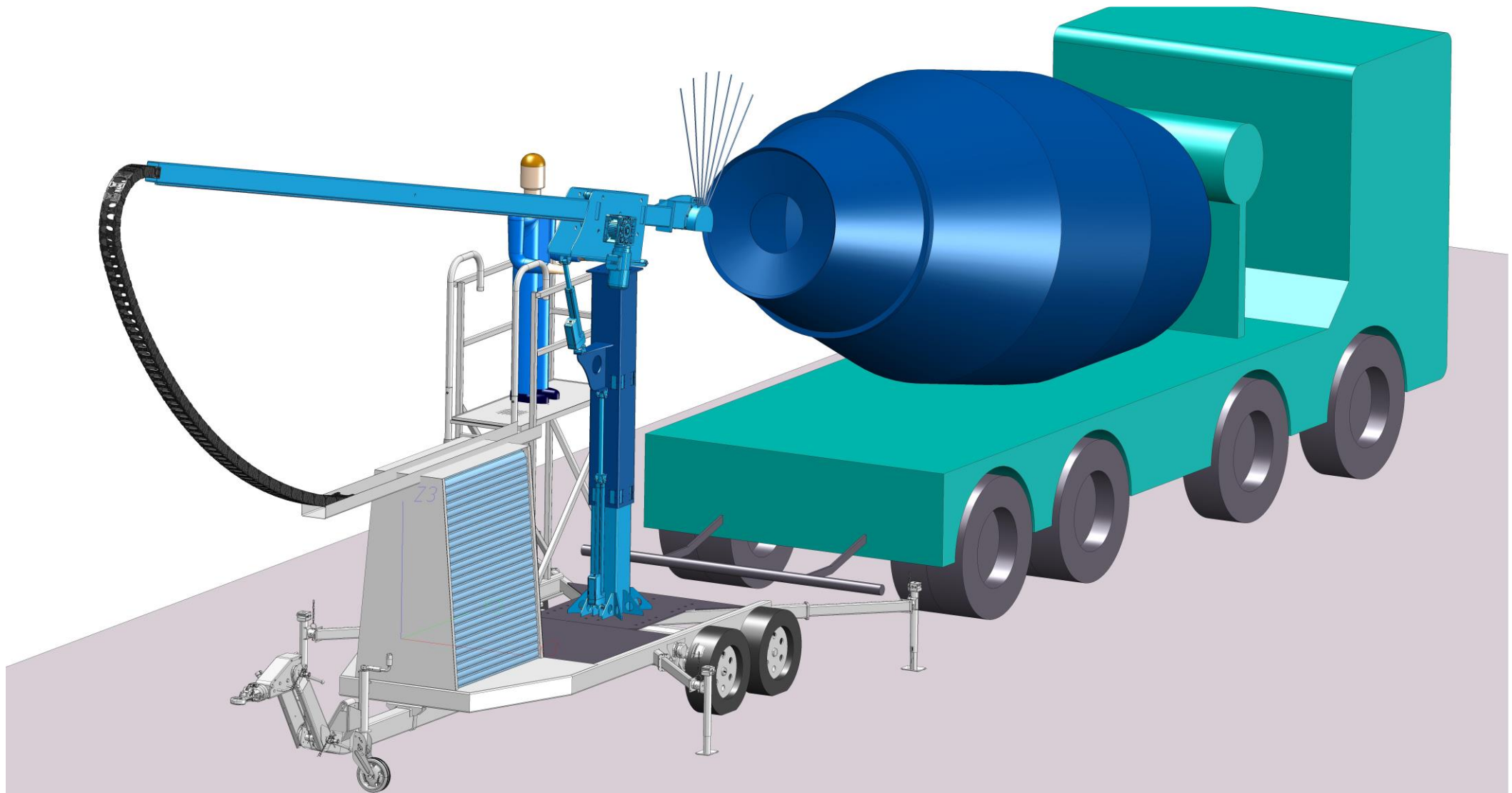
# Walter Cleanjet

2 in 1 truck drum cleaning solution

**WALTER** 

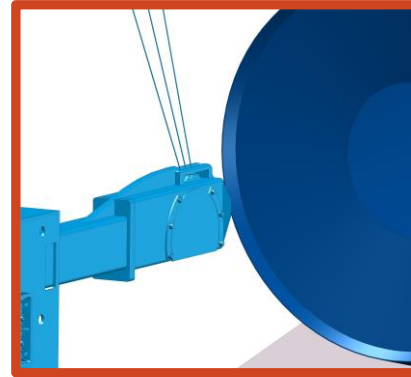
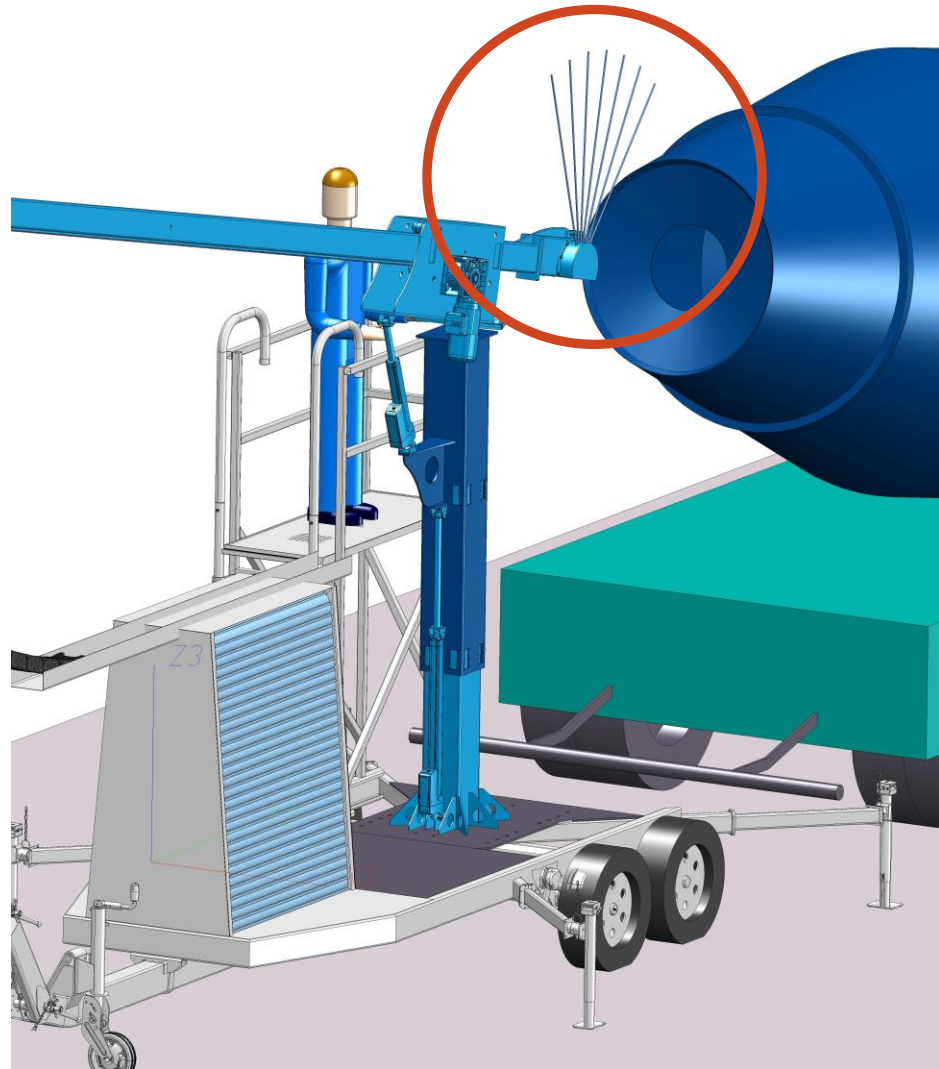


# Trailer with cleaning lance

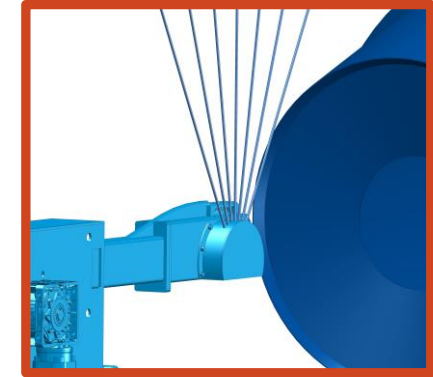


# Convertible nozzle head

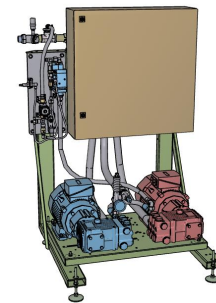
Daily cleaning <-> concrete removal



Nozzle head for daily cleaning  
(3 fixed nozzles)



Nozzle head for concrete removal  
(1 oscillating nozzle)



Walter DAB Pump unit

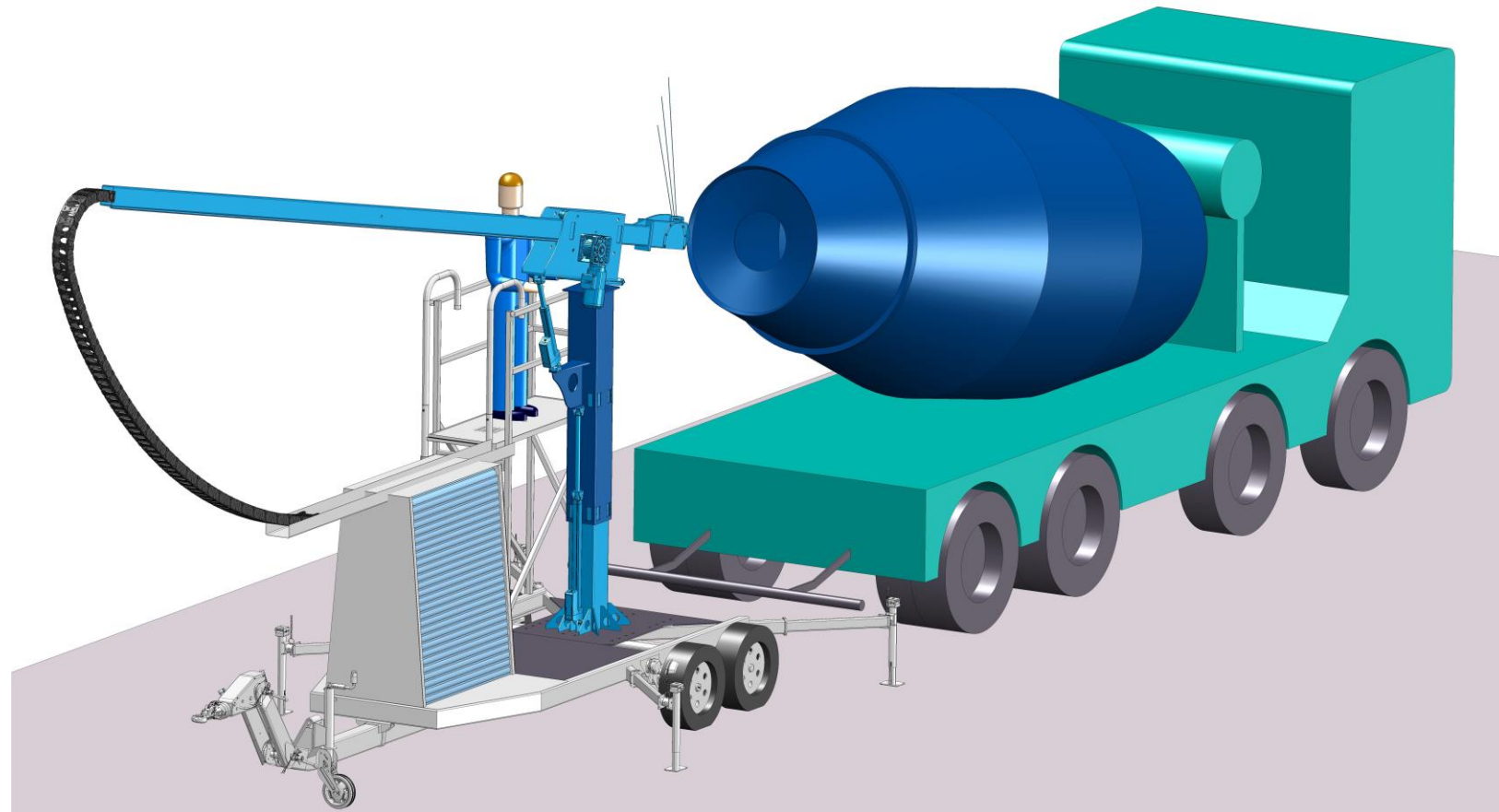
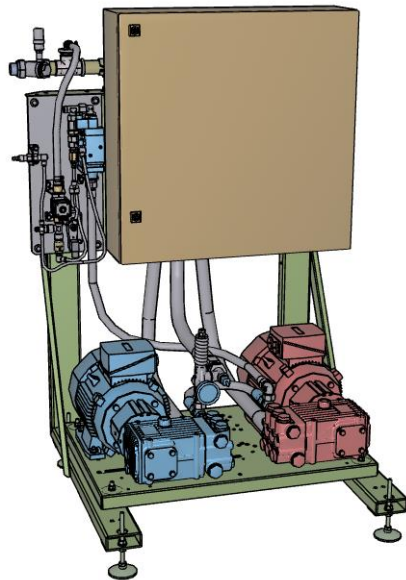


Ultrahigh pressure unit

# Layout for daily cleaning

## Washing out fresh concrete (same day)

- / Automatic cleaning procedure
- / Pump unit at main site
- / Flow rate: 50 l/min
- / Operating pressure: 220 bar
- / Power: 22 kW (electric)



# Layout for ultrahigh pressure cleaning

## Concrete removal

- / Semi-automatic cleaning procedure
- / Pump unit as rental system
- / Flow rate: 50-80l/min
- / Operation pressure: 1500 bar
- / Power: 250 kW (diesel)

